

Applicable to T7/T10/T14/T17/T21

Parallel Scheme of Tower



Important information:

- Only qualified professional electricians can carry out the parallel connection of the Tower series and all other related work.
- This solution is a brief description of Tower parallel connection, and cannot replace the original user manual.
- The total voltage difference between clusters should be less than 10V; the SOC of each cluster should be 100%, and the time interval between new clusters and existing clusters should be less than 6 months.
- Up to 4 Towers are allowed to be connected in parallel.

1 Parallel scheme introduction

In order to meet the market demand, Dyness has developed the parallel machine function of the Tower series. This parallel solution is applicable to all Tower models.

2 main equipment requirements



BDU-1.5G + Battery module + Base



Combiner box
DCB-TW

Parallel connection

The overall configuration diagram of the Tower parallel system is as follows:

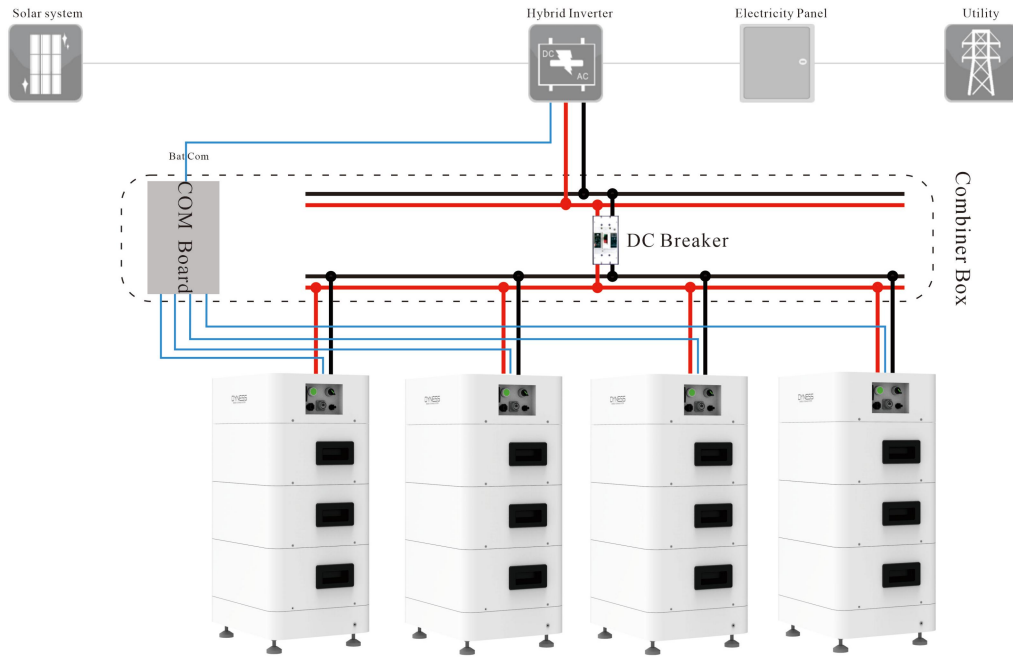


Figure 2-1 Overall configuration diagram of Tower

The wiring diagram between the Tower and the combiner box is as follows:

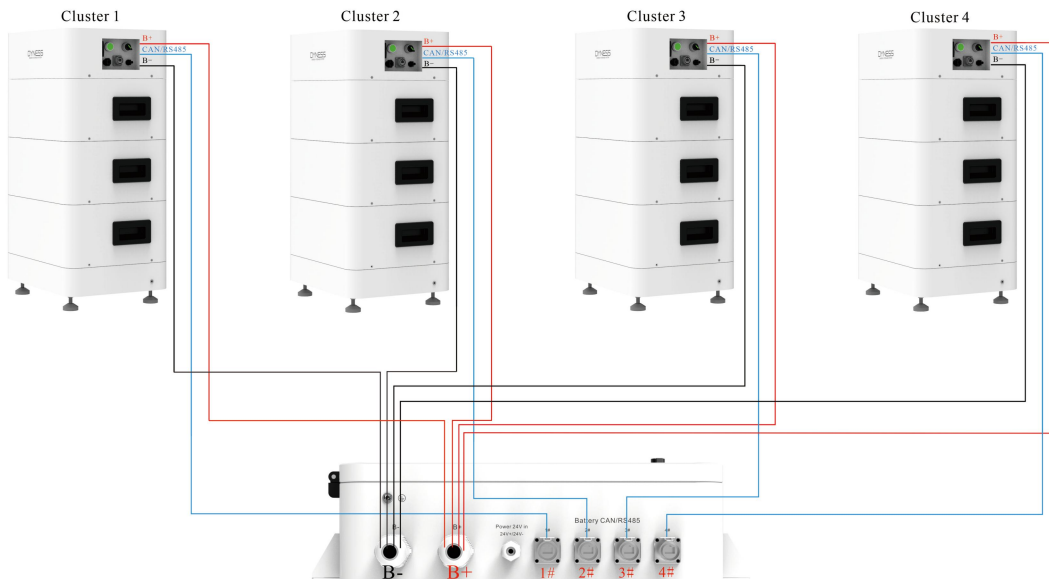
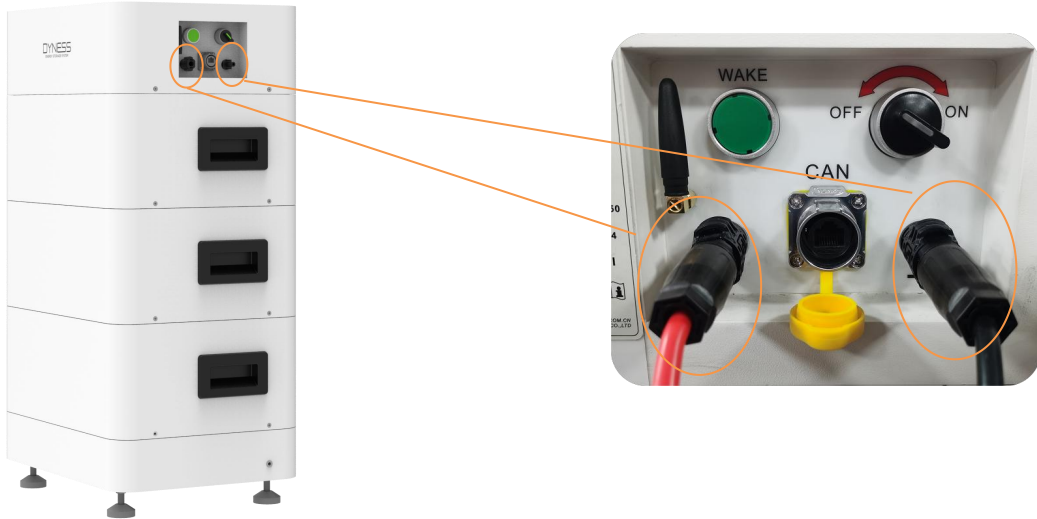


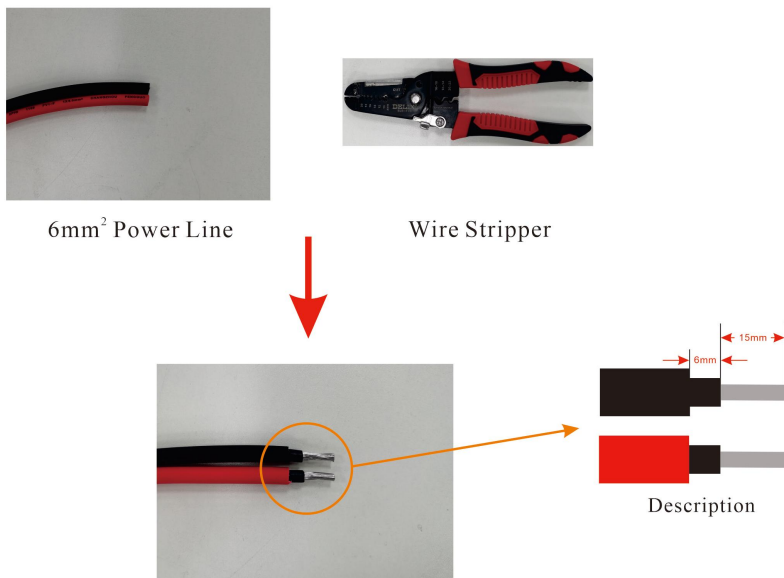
Figure 2-2 Connection diagram Tower and the combiner box

3 Power line connection of the battery terminal of the combiner box

Crimp one end of the BDU standard 6mm² power harness to the MC4 terminal, and connect it to the socket of the BDU-1.5G:



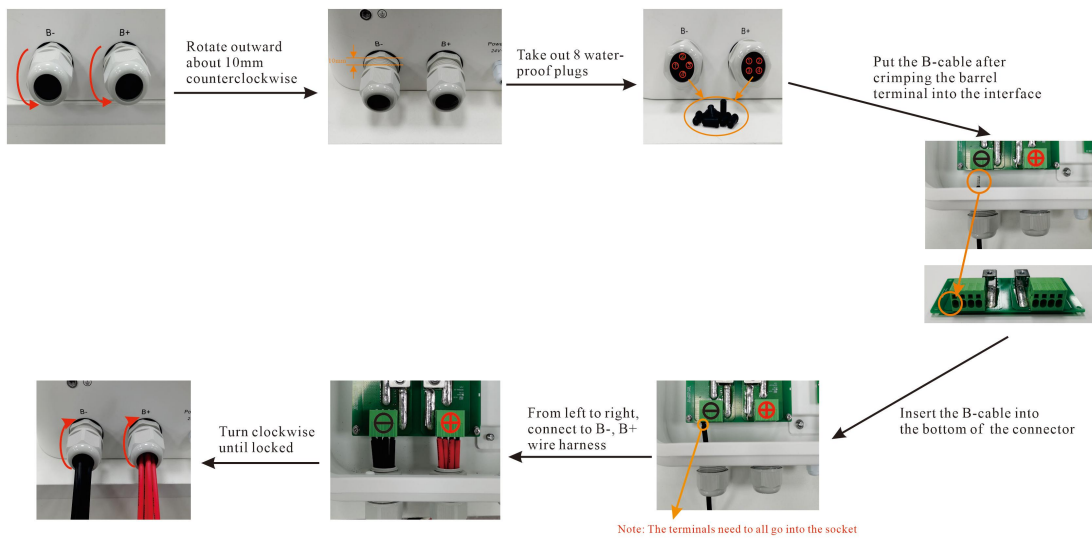
Strip the other end of the 6mm² power cable as shown in the figure below:



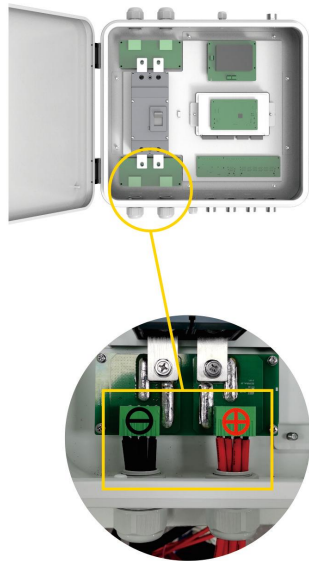
Crimp the stripped 6mm² wire harness to the tube terminal:



Connect the 6mm² power harness with crimped tubular terminals to the B+ and B- ports of the combiner box according to the following steps:



The schematic diagram of the connection of the power line at the battery end of the combiner box is shown below:



Appendix:

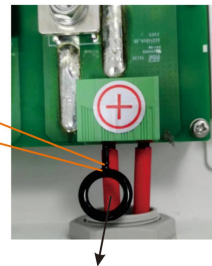
We have prepared a tool for the power harness that can be ejected (hereinafter referred to as the ejector), and you can find it in the accessories. The pictures and how to use them are shown in the following figure:



Needle Ejector



The position where the ejector is inserted

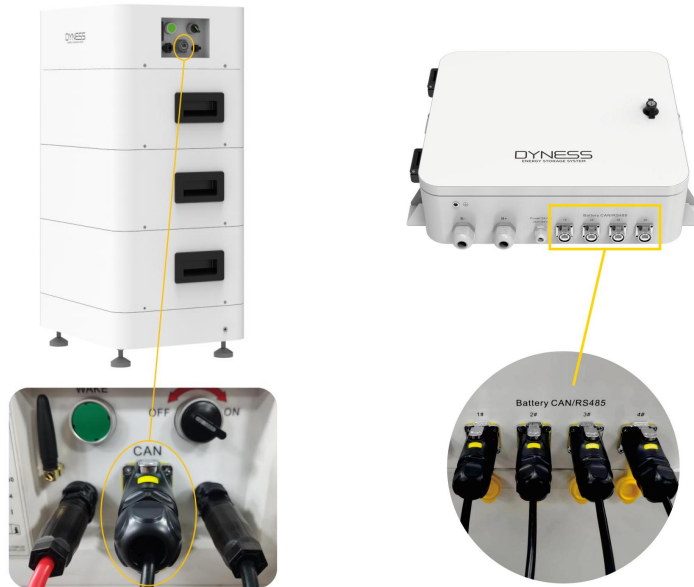


After the needle ejector is inserted, take out the power cable

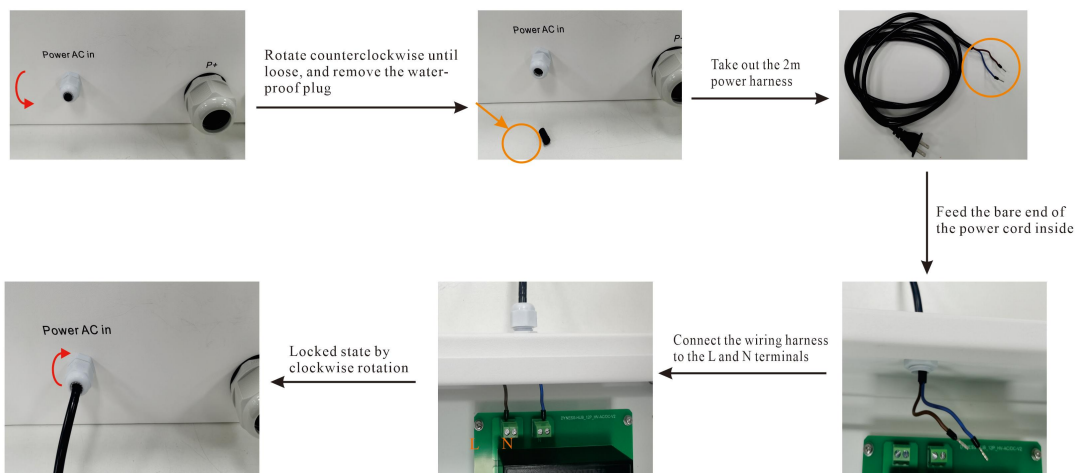
Introduction to use

4 Connecting the communication cable at the battery end of the combiner box

Use standard communication network cables to connect the 4 clusters of Tower BDU-1.5G to the 1#, 2#, 3#, 4# interfaces of the combiner box respectively. Be careful not to connect to other ports.



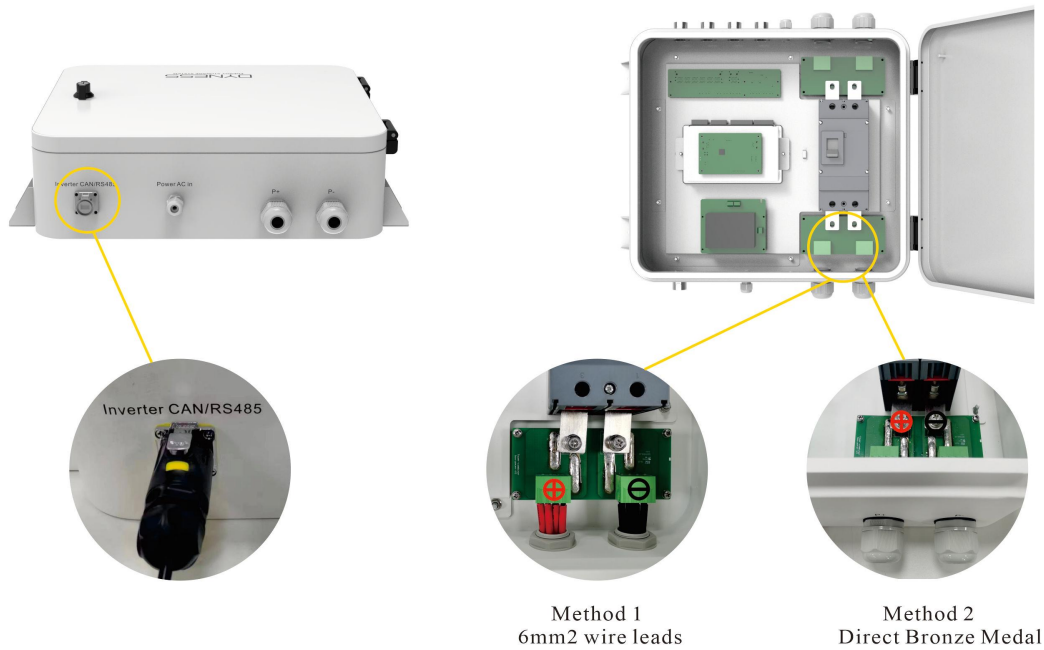
5 Connecting the AC Power Cable to the Combiner Box



6 Connection between combiner box and inverter

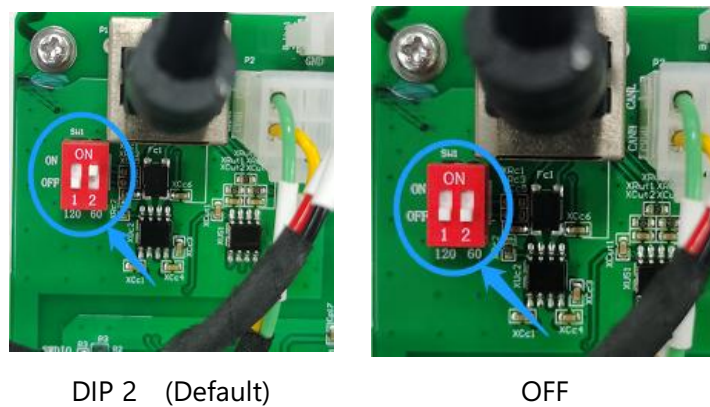
The style of the output power harness of the combiner box should be determined by the battery port of the inverter. Customers can choose to lead the 6mm² wiring through the cable gland or directly connect to the confluence copper plate.

The communication cable is connected to the communication terminal of the inverter through the "Inverter CAN/RS485" interface of the combiner box. The communication method depends on the inverter side (CAN or 485).



Appendix:

When Towers are connected in parallel, it is necessary to turn the DIP in the newly added Tower BDU to the OFF state, see the table below for details:



7 Parallel System Start-up and Shutdown Sequence

Start-up Sequence:

After the above power wiring harness and communication wiring harness are connected and inspected, push the left air switch of all cluster BDUs to the ON position, and push the DC Breaker in the combiner box from OFF to the ON position;

First turn the knob switch of cluster 1 BDU to the ON position, and press and hold the WAKE button for 8~9s to let go; then perform the same operation on the BDUs of cluster 2, cluster 3, and cluster 4. After all cluster BDUs are powered on, the combiner box After 10 seconds, all cluster BDUs will close the relays and output voltage externally.

Shutdown Sequence:

First disconnect the AC power of the combiner box, and after about 7-8s, the BDU cuts off the output voltage; then turn the BDU knob switches of cluster 1, cluster 2, cluster 3, and cluster 4 to the OFF position.

If the battery is not used for a long time, you need to turn the switch on the left side of the BDU to the OFF position.

8 Inverter Compatibility List

See Dy Ness Compatibility List. Please contact Dy Ness for details if required.

9 Attention

- The protection level of DCB-TW is IP65.
- The BDU box is labeled with a WiFi QR code.
- Towers connected in parallel must have the same model and capacity.
- The time interval between the newly added modules of Tower expansion and the existing modules cannot exceed 6 months. During capacity expansion, ensure that the SOC of each module is 100%.



Discover Your Nature



Official Website



Digital version access

Dyness Digital Energy Technology Co., LTD.

www.dyness.com