

Industrial surface-mount box IP67, for 2 sockets, white

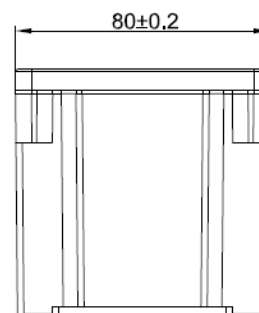
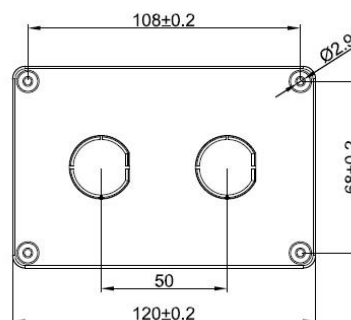
Markings:

Code: EM/IPXX-WPB2

Description and Technical Characteristics of the Product:

IP67 surface-mount industrial box is used to build a subscriber connection point in places exposed to environmental conditions (water, moisture, dust, etc.). Together with other components (industrial socket, patchcord), it offers IP67 protection. One or two EM/IPXX-WPC6-110 industrial keystone sockets can be mounted in the box.

In order to install the socket, one or two holes should be punched in the box using the knockouts in the face of the box.



Markings:

Industrial surface-mount box IP67, for 2 sockets, white; code: EM/IPXX-WPB2

Products compatible with the box:

EM/IPXX-WPC6-110

STP RJ45 industrial keystone socket Cat. 6 (110) black

Related products:

EM/IPXX-PC-FTP6-2M

EmitterNet FTP industrial patch cable Cat. 6 black 2m

EM/IPXX-PC-AD

Industrial adapter for construction of IPXX patch cables

Cables:

K/EMITERNET-FTP6PVC-STD. ICT cable, FTP (F/UTP) Cat.6 450MHz, solid-core cable
4x2x23AWG, PVC

K/EMITERNET-FTP6LSOH. Emitter Net FTP (F/UTP) cable Cat. 6 450MHz, solid-core cable
4 x2 x 23AWG, LSZH-FR

Technical parameters:

Mechanical:

colour - white

material: PC plastic UL94V-0, metal (screws)

dimensions (W x H x D) – 68x108x80mm

weight - g

We have made every effort to ensure that the information presented is accurate and complete. However, we are not responsible for the accuracy and completeness of the data and, in particular, we cannot guarantee that this specification does not contain errors or mistakes. The information contained in this specification may be changed at any time without notice.