

Datasheet GATE MODBUS INT-201-E-01

Gate MODBUS enables integrations with every device supporting MODBUS RTU.



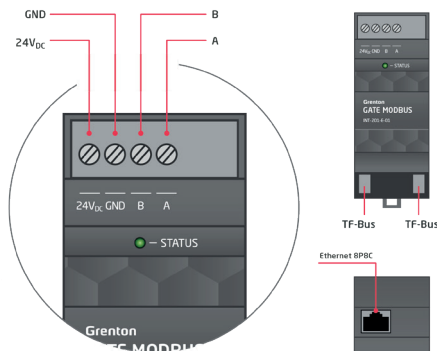
1. Parameters - Gate

Characteristics:	
Uptime	Time of device operation since last reset (in seconds)
ClientReportInterval	Characteristics change report period
Date	Returns the current date
Time	Returns the current time (hh:mm:ss)
LocalTime	Returns the current time
TimeZone	Local time zone
UnixTime	Returns the current Unix time
FirmwareVersion	Gate firmware version
UseCloud	Specifies whether Gate connects to the cloud
CloudConnection	Specifies whether Gate is connected to the cloud
NTPTimeout	NTP Timeout
UseNTP	Specifies whether Gate uses NTP
PrimaryDNS	Preferred DNS server
SecondaryDNS	Alternate (secondary) DNS server
Methods:	
SetDateTime	Sets date and time
StartConsole	Starts Lua console
StartConsoleOnReboot	Starts Lua console on next boot
SetClientReportInterval	Sets the characteristics change report period
SetPrimaryDNS	Sets the PrimaryDNS feature
SetSecondaryDNS	Sets the SecondaryDNS feature
Events:	
OnInit	Event occurring once during device initialization

2. Technical data

Device power supply	24 V _{dc}
Maximal power consumption	3.6 W
Maximal device current	150 mA (for 24 V _{dc})
Max. wire cross section	2.5 mm ²
Weight	75 g
Size (DIN)	2
Fixing	electrical box, rail DIN-3 / TH 35 / TS 35
Dimensions (H/W/D)	58/36/90 mm
Operating temperature range	0 to +45 °C

3. Wiring diagram



24V	DC power supply
GND	GND
A	'A' signal
B	'B' signal

4. Device status

	Blinking green LED - status OK
	Blinking green/red LED - emergency mode

In order to restore factory default settings, please perform Hard Reset according to the steps below:

1. Power off the Gate module,
2. Press and hold the 'Reset' button on the module (it is located under bottom cover of the module),
3. Power on the Gate module,
4. Hold down the 'Reset' button for at least 10 seconds - during resetting the green LED will be lit contin-

uously. Correctly performed reset procedure will be confirmed by 3 short blinks of the green LED.

5. Release the 'Reset' button after 10 seconds,
6. Wait until the red and green LEDs start blinking alternately (about 60 seconds) - Emergency Mode.

After completing the procedure, configuration on the module will be cleared. The module will no longer be visible in the project (no response to Keep-Alive). To restore the module, perform CLU Discovery and send the configuration.

5. Warnings and cautionary statements



ATTENTION!

- Before proceeding with the assembly, read the installation schematics and full instructions available at www.grenton.com. Failure to follow the guidelines contained in the instructions and other requirements of due care valid as a result of the nature of the equipment (device) may be dangerous to life / health, damage the device or installation to which it is connected, damage other property or violate other applicable

regulations. The manufacturer of the device, Grenton Sp. z o.o. does not bear any responsibility for the damage (property and non-property related) resulting from the assembly and / or use of the equipment not in accordance with the instructions and / or due diligence in handling the equipment (device).

- Device power supply, permissible load or other characteristic parameters have to be in accordance with the device specification, described in particular in the "Technical data" section.
- The product is not intended for children and animals.
- If you have technical questions or comments about the device operation, contact Grenton Technical Support.
- Answers to frequently asked questions can be found at: www.support.grenton.pl



DANGER!

- Danger to life caused by electric current!
- The components of the installation (individual devices) are designed to work in a home electrical installation or directly in its

vicinity. Incorrect connection or use may cause a fire or electric shock.

- All work related to the installation of the device, in particular works involving interference in the electrical installation, may be performed only by a person with appropriate qualifications or licences.

- When installing the device, make sure that the power supply voltage is disconnected from the circuit in which the device is connected or near which the assembly takes place.

6. CE marking

The manufacturer declares that the device is in full compliance with the requirements of EU legislation that includes the directives of a new approach appropriate for this equipment. In particular, Grenton Sp. z o.o. declares that the device fulfills the requirements on safety, specified by law, and that it conforms to

the national regulations that implement the appropriate directives: The Directive on the electromagnetic compatibility (EMC - 2014/30/UE) and the Directive on the limitation of the use of specific substances in electrical and electronic equipment (RoHS II - 2011/65/UE).



7. Warranty

Warranty available at: www.grenton.com/warranty

8. Manufacturer contact details

Grenton Sp. z o.o.
ul. Na Wierzchwinach 3
30-222 Kraków, Polska (PL)
www.grenton.com